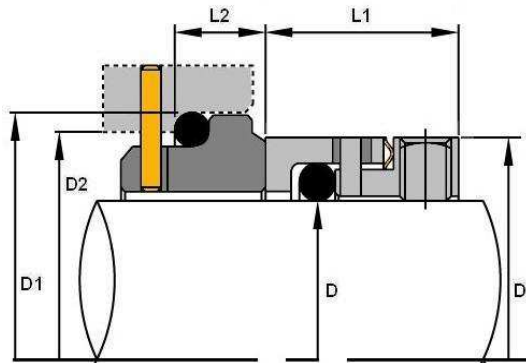


# Type 1688L



Thin-profile, highly compact, wave-spring, 'O'-ring mounted rotary with 'O'-ring mounted seat to DIN dimension, with anti-rotation pin provision.

Especially suited for lobe-rotor and other pump types with restricted sealing chambers.

**STANDARD FACE MATERIALS**  
Rotary Face: Stainless steel or Tungsten Carbide.

Seat Ring: Carbon, Tungsten Carbide, Q1 or Q2 Silicon Carbide.

### Suggested Operating Limits

Pressure 150psi                      Speed 15m/s  
Temperature -40 to +200°C  
Limits are dependant upon shaft size, shaft speed, temperature, and media to be sealed.

## STANDARD SIZES

Shaft Size D	Size Code	D1	D2	D3	L1	L2	L TOT
16	0160	27.00	23.00	27.00	19.10	8.60	27.70
20	0200	35.00	29.00	31.20	19.10	10.00	29.10
22	0220	37.00	31.00	33.00	19.10	10.00	29.10
24	0240	39.00	33.00	34.10	19.10	10.00	29.10
25	0250	40.00	34.00	36.00	19.10	10.00	29.10
28	0280	43.00	37.00	39.00	19.10	10.00	29.10
30	0300	45.00	39.00	41.00	19.10	10.00	29.10
32	0320	48.00	42.00	42.40	19.10	10.00	29.10
33	0330	48.00	42.00	44.00	19.10	10.00	29.10
35	0350	50.00	44.00	45.50	19.10	10.00	29.10
38	0380	56.00	49.00	51.80	21.10	11.00	32.10
40	0400	58.00	51.00	53.80	21.10	11.00	32.10
43	0430	61.00	54.00	56.80	21.10	11.00	32.10
45	0450	63.00	56.00	58.20	21.10	11.00	32.10
48	0480	66.00	59.00	61.40	21.10	11.00	32.10
50	0500	70.00	62.00	61.90	21.10	13.00	34.10
55	0550	75.00	67.00	72.00	22.10	13.00	35.10
60	0600	80.00	72.00	77.00	25.80	13.00	38.80
63	0630	83.00	75.00	79.30	25.80	13.00	38.80
65	0650	85.00	77.00	82.30	25.80	13.00	38.80
70	0700	92.00	83.00	87.00	25.80	15.30	41.10
75	0750	97.00	88.00	96.00	25.80	15.30	41.10
80	0800	105.00	95.00	101.00	25.80	15.70	41.50
85	0850	110.00	100.00	106.00	25.80	15.70	41.50
90	0900	115.00	105.00	111.00	25.80	15.70	41.50
95	0950	120.00	110.00	116.00	25.80	15.70	41.50
100	1000	125.00	115.00	121.00	25.80	15.70	41.50