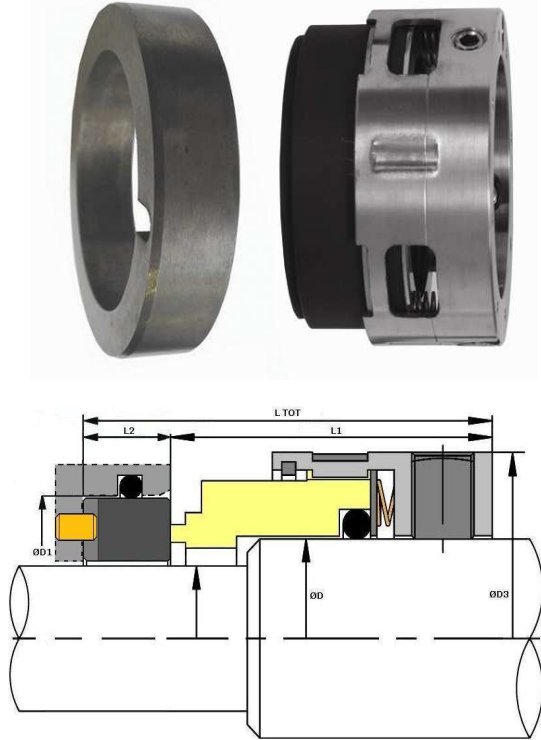




Type 1609BSP

VULCAN STANDARD SIZES



Imperial Size D	Size Code	Seat Size Code	D1	D2	D3	L1	L2	L TOT
5/8"	0158	0127	25.60	31.52	30.70	26.90	7.90	34.80
3/4"	0191	0158	31.95	37.87	34.70	30.10	10.30	34.10
7/8"	0222	0191	35.12	41.04	38.10	32.00	10.30	42.30
1.0"	0254	0222	38.30	44.22	40.50	33.00	10.30	43.30
1.1/8"	0286	0254	41.48	47.40	43.50	34.90	11.15	46.05
1.1/4"	0317	0286	44.65	50.57	48.30	34.90	11.15	46.05
1.3/8"	0349	0286	44.65	50.57	52.00	37.00	11.15	48.15
1.1/2"	0381	0317	47.83	53.75	55.60	37.00	11.15	48.15
1.5/8"	0412	0349	51.00	56.92	61.00	45.00	11.15	56.15
1.3/4"	0444	0381	54.18	60.10	64.30	45.00	11.15	56.15
1.7/8"	0476	0412	60.53	66.45	65.10	45.00	12.75	57.75
2.0"	0508	0444	63.70	69.62	70.70	45.00	12.75	57.75
2.1/8"	0539	0476	66.88	72.80	77.00	52.00	12.75	64.75
2.1/4"	0571	0508	70.05	75.97	79.90	52.00	12.75	64.75
2.3/8"	0603	0539	76.40	82.35	83.10	52.00	14.33	66.33
2.1/2"	0635	0571	79.58	85.50	86.60	52.00	14.33	66.33
2.5/8"	0666	0603	82.75	88.67	89.60	52.00	14.33	66.33
2.3/4"	0698	0635	85.93	91.85	92.80	52.00	14.33	66.33
2.7/8"	0730	0666	85.93	91.85	95.50	52.00	15.93	67.93
3.0"	0762	0698	89.10	95.02	97.70	52.00	15.93	67.93
3.1/8"	0794	0730	95.45	101.37	100.50	52.00	15.93	67.93
3.1/4"	0825	0762	98.63	104.55	105.30	52.00	15.93	67.93
3.3/8"	0857	0794	101.80	107.72	108.30	52.00	19.84	71.84
3.1/2"	0889	0825	104.98	110.90	111.50	52.00	19.84	71.84
3.5/8"	0921	0857	108.15	114.07	114.90	52.00	19.84	71.84
3.3/4"	0953	0889	111.33	117.25	118.00	52.00	19.84	71.84
3.7/8"	0984	0921	114.50	120.42	121.20	52.00	19.84	71.84
4.0"	1016	0953	117.68	123.60	124.60	52.00	19.84	71.84
4.1/8"	1047	0984	120.85	126.77	127.70	52.40	19.84	72.24
5.0"	1270	1206	146.25	152.17	159.00	52.40	19.84	72.24
5.1/4"	1333	1270	152.60	158.52	166.00	60.30	19.84	80.14
5.1/2"	1397	1333	158.95	164.87	172.00	60.30	19.84	80.14

Imperial shaft size, multiple spring, balanced 'O'-ring mounted rotary with ring style 'O'-ring mounted seat, with the 'O'-ring mounted radially, to allow direct contact between the seat ring and the pump housing to assist with cooling. Especially suited for medium and heavy pump duties with elevated media temp.

STANDARD FACE MATERIALS
 Rotary Face: M825 Carbon, RB Silicon Carbide.
 Seat Ring: Q1 Silicon Carbide, Tungsten Carbide.

Suggested Operating Limits
 Pressure 320psi Speed 25m/s
 Temperature -100 to +200°C
 Limits are dependant upon shaft size, shaft speed, temperature, and media to be sealed.